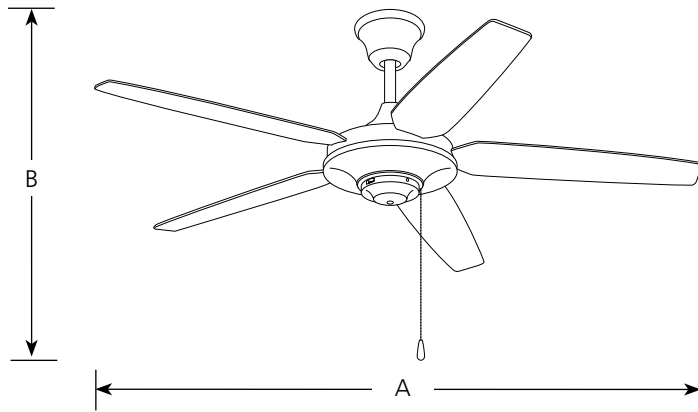


Type \_\_\_\_\_  
 -09 -20 -30W  
 P2530

Catalog No	Finish			Dimensions (Inches)	
	Brushed Nickel	Antique Bronze	White	A	B
P2530	-09	-20	-30W	54	15-1/8
<b>Blades</b>					
Side 1	Silver	Medium Cherry	White		
Side 2	Natural Cherry	Classic Walnut	White		



**Specifications:**

General

- 30 year limited warranty
- Energy Star Certified

Blades

- Five blades
- Reversible
- 12 degree pitch
- Sure Connect blade attachment system
  - Screws preinstalled in blades for attachment to motor arms
  - Special guides align blades to motor arms
  - Preinstalled rubber isolation pads minimize vibration noise
- MDF blade construction

Motor

- Triple capacitor speed control; manual reverse control
- 153mm dia x 18mm high
- Pull chain on brushed nickel (-09) is chrome with a maple fob, antique brass (-20) is oxide with a walnut fob, and white (-30W) has antique chrome chain with white fob

Mounting

- Quick Install canopy
- Installs without removing J-box screws
- Holds fan for wiring during installation
- Downrod mounting

- A 1" x 6" downrod is included. Longer accessory downrods can be ordered separately
- Standard canopy designed for sloped ceilings up to 45 degrees (12:12 ceiling pitch) using downrod supplied or accessory downrods
- Oversized, textured die cast hanger ball reduces noise and wobble vibrations
- Canopy covers standard recessed 4" octagonal outlet box. Note: An outlet box assembly designed for fan installation is required (not included)
- Mounting hardware is included

Electrical

- 80" lead wires included
- Light fixture adaptable

High Speed Energy Information

- Airflow – 5,362 cfm
- Energy consumption – 65 watts
- Airflow efficiency – 82 cfm/watt

Labeling

- UL/CUL listed
- Energy Star Certified



Progress Lighting  
 701 Millennium Blvd.  
 Greenville, South Carolina  
 29607

www.progresslighting.com