



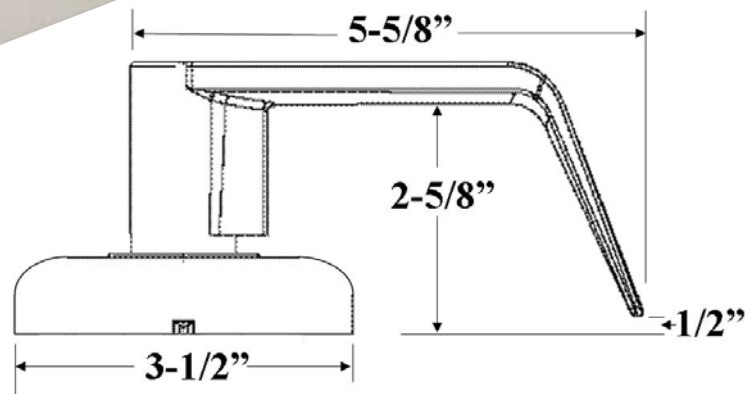
Bulldog Commercial Hardware 7200 Series ANSI/BHMA Grade-1 Heavy Duty Commercial Lever Specifications



Meets ADA
Regulations



UL LISTED



Stocking Finish		Special Order Finishes			Case Qty	Case Wt	Case Size
SS	10B	AB	PB	PS	Units	LBS	LxWxH
x	x	x	x	x	6	12	15x9x12

Lever Specifications & Options		Function	Operation
ANSI / BHMA	ANSI 156.2 Grade-1	7220 - Passage	Both levers always free turning. No locking operation.
Rose Diameter	3-1/2"		
Cylinder	6 pin C std.- 6 pin KW1 optional	7231-Restroom	Inside push-button locks both levers. Lever can be opened from outside by turning outside privacy mechanism. (emergency egress & kickoff equipped)
Keying	As Specified: Available Master keyed, builder keyed, KD, KA		
Thru-Bolt (auxiliary)	2 standard, removable	7241-Entry	Key or inside push button locks both levers. Turning inside lever or key unlocks both levers. Pushing & turning inside push button activates "Storeroom Function".
Latch	2-3/4" backset, 2-3/8" optional. 1-1/8" square corner wide faceplate std.		
Strike	PT-LS22: 4-7/8" ASA-Strike Std. PT-LS12: 2-3/4" T-Strike opt.	7250-Storeroom	Inside Lever is free turning. Outside lever is always locked and can only be unlocked with key inserted and turned.
Door Prep	1" edge bore, 1-1/8" x 2-1/4" latch mortise, 2-1/8" cross bore, 2-3/4" backset standard, 2-3/8" optional		
Clutch	Standard	7260-Classroom	Outside lever locked or unlocked with key. Inside is always free.
Door Thickness	Min. 1-3/8", Max 1-3/4"		
Handing	All, 7200 levers are non-handed		
U.L.	3 hour, U.L. Labeled Fire Rated		
Warranty	Lifetime Mechanical, 2 year Finish		