

# **The Louvre<sup>®</sup>**

## **Ceiling Fan**



**Standard & Damp Location Models\***

Net Weight 19 lbs.

**Model No. FP1320\*\***

**OWNER'S MANUAL**  
**READ AND SAVE THESE INSTRUCTIONS**



*\*Damp Location Model; Top of fan is marked, "Suitable For Use In Damp Locations"*

# Important Safety Instructions

## **WARNING: To avoid fire, shock and serious personal injury, follow these instructions.**

1. Read your owner's manual and safety information before installing your new fan. Review the accompanying assembly diagrams.
2. Before servicing or cleaning unit, switch power off at service panel and lock service panel disconnecting means to prevent power from being switched on accidentally. When the service disconnecting means cannot be locked, securely fasten a warning device, such as a tag, to the service panel.
3. Be careful of the fan and blades when cleaning, painting, or working near the fan. Always turn off the power to the ceiling fan before servicing.
4. Do not insert anything into the fan blades while the fan is operating.
5. Do not operate reversing switch until fan blades have come to a complete stop.

## **Additional Safety Instructions**

1. To avoid possible shock, be sure electricity is turned off at the fuse box before wiring, and do not operate fan without blades.
2. All wiring and installation procedures must satisfy National Electrical Codes (ANSI/ NFPA 70-1999). Use the National Electrical Code if Local Codes do not exist. The ceiling fan must be grounded as a precaution against possible electrical shock. Electrical installation should be made or approved by a licensed electrician.
3. The fan base must be securely mounted and capable of reliably supporting at least 100 lbs. (fan and accessories not to exceed 35 lbs. or 16 kgs.). Outlet boxes are not acceptable for fan support. See page 5 of owner's manual for support requirements. Consult a qualified electrician if in doubt.
4. **CAUTION:** To reduce the risk of personal injury, mount the fan base to a ceiling joist or structural member using the hardware provided with your fan.  
**WARNING:** Support Directly from Building Structure.
5. The fan must be mounted with the fan blades at least 7 feet from the floor to prevent accidental contact with the fan blades.
6. Follow the recommended instructions for the proper method of wiring your ceiling fan. If you do not have adequate electrical knowledge or experience, have your fan installed by licensed electrician.
7. Suitable for use with solid-state speed controls.  
**WARNING:** To reduce the risk of fire or electric shock, this fan should only be used with Fan Speed Control Part No. UC7051R, manufactured by Rhine Electronic Co., Ltd.  
**WARNING:** TO REDUCE THE RISK OF SHOCK, THIS FAN MUST BE INSTALLED WITH AN ISOLATING WALL CONTROL/SWITCH.  
**WARNING:** This product is designed to use only those parts supplied with this product and/or accessories designated specifically for use with this product. Using parts and/or accessories not designated for use with this product could result in personal injury or property damage.\*  
**WARNING:** To reduce the risk of personal injury, do not bend the blade bracket (flange or blade holder) when installing the brackets, balancing the blades, or cleaning the fan. Do not insert foreign objects in between rotating fan blades.

## **LIMITED LIFETIME WARRANTY**

### **Extends to the original purchaser of a Fanimation Fan**

1. **LIMITED LIFETIME MOTOR WARRANTY** - If any part of your fan motor fails, due to a defect in materials or workmanship during the lifetime of the original purchaser, Fanimation will provide the replacement part free of charge, when the defective fan is returned to our national service center. Proof of purchase is required. Customer shall be responsible for all costs incurred in the removal or reinstallation and shipping of the product for repairs or replacement.
2. **ONE YEAR MOTOR LABOR WARRANTY** - If your fan motor fails at any time within one year from the original purchase, due to defects in materials or workmanship, labor to repair the motor will be provided free of charge at our national service center. Purchaser will be responsible for labor charges after this one-year period. Customer shall be responsible for all costs incurred in the removal or reinstallation and shipping of the product for repairs or replacement.
3. If any other part of your fan fails at any time within one year after original purchase, due to a defect in materials or workmanship, we will repair, or replace, at our option, the defective part free of charge for parts and labor performed at our national service center.
4. Because of varying climate conditions, this warranty does not cover changes in the finish, including rusting, pitting, corroding, tarnishing, or peeling.
5. This warranty is void and does not apply to damage from improper installation, neglect, accident, misuse, exposure to extremes of heat or humidity, or as a result of any modification to the original product.
6. All costs of removal and reinstallation of the fan are the sole responsibility of the owner of the fan and not the store that sold the fan or Fanimation.
7. Fanimation reserves the right to modify or discontinue any product at any time and may substitute any part under this warranty.
8. Under no circumstances may a fan be returned without prior authorization from Fanimation. The receipt of purchase must accompany authorized returns and must be sent freight prepaid to Fanimation. The fan to be returned must be properly packed to avoid damage in transit; Fanimation will not be responsible for any damage resulting from improper packaging.
9. It is understood that any repair or replacement is the exclusive remedy available from Fanimation. There is no other expressed or implied warranty. Fanimation hereby disclaims any and all implied warranties, including, but not limited to those of merchantability and fitness for a particular purpose to the extent permitted by law. Some states do not allow limitations on implied warranties. Fanimation will not be liable for incidental, consequential, or special damages arising out of or in conjunction with product use or performance, except as may otherwise be accorded by law. This warranty gives you special legal rights and you may also have other rights that vary from state to state.
10. A certain amount of wobble is normal and should not be considered a problem or a defect.

**\*DAMP LOCATION CEILING FAN:** If you have purchased a Damp Location Ceiling Fan, you may only use light kits marked suitable for use in damp locations.

## **Table of Contents**

Unpacking Instructions .....	3
Electrical and Structural Requirements .....	4
Wiring and Control Options .....	4
How to Assemble Your Ceiling Fan .....	4
How to Hang Your Ceiling Fan .....	6
How to Wire Your Ceiling Fan - Pull Chain .....	7
Operating Instructions - Pull Chain .....	7
How to Wire Your Ceiling Fan - C4 Hand-held Remote (Optional) .....	8
Operating Instructions - C4 Hand-held Remote (Optional) .....	8
How to Wire Your Ceiling Fan - C1 Wall Control (Optional) .....	9
Operating Instructions - C1 Wall Control (Optional) .....	9
Installing the Canopy Housing .....	10
Mounting the Fan Blades .....	10
Maintenance .....	11
Blade Cleaning .....	11
Parts List .....	12
Exploded-View Drawing .....	13

# This Manual is Designed to Make it as Easy as Possible for You to Assemble, Install, Operate, and Maintain Your Ceiling Fan

## Tools Needed for Assembly

- One Phillips head screwdriver
- One wire stripper
- One stepladder
- Three wire connectors (supplied)
- One ¼" blade screwdriver

## Materials

Wiring outlet box and box connectors must be of type required by local code. The minimum wire would be a 3-conductor (2-wire with ground) of the following size:

Installed Wire Length	Wire Size A.W.G.
Up to 50 ft.	14
50 - 100 ft.	12

**NOTE:** Place the parts from the loose parts bags in a small container to keep them from being lost. If any parts are missing, contact your local retailer.

**DAMP LOCATION CEILING FAN:** If you have purchased a Damp Location Ceiling Fan, you may only use light kits marked suitable for use in damp locations.

### ▲ WARNING

Before assembling your ceiling fan, refer to section on proper method of wiring your fan (page 4). If you feel you do not have enough wiring knowledge or experience, have your fan installed by a licensed electrician.

## Unpacking Instructions

For your convenience, check-off each step. As each step is completed, place a check mark. This will ensure that all steps have been completed and will be helpful in finding your place should you be interrupted.

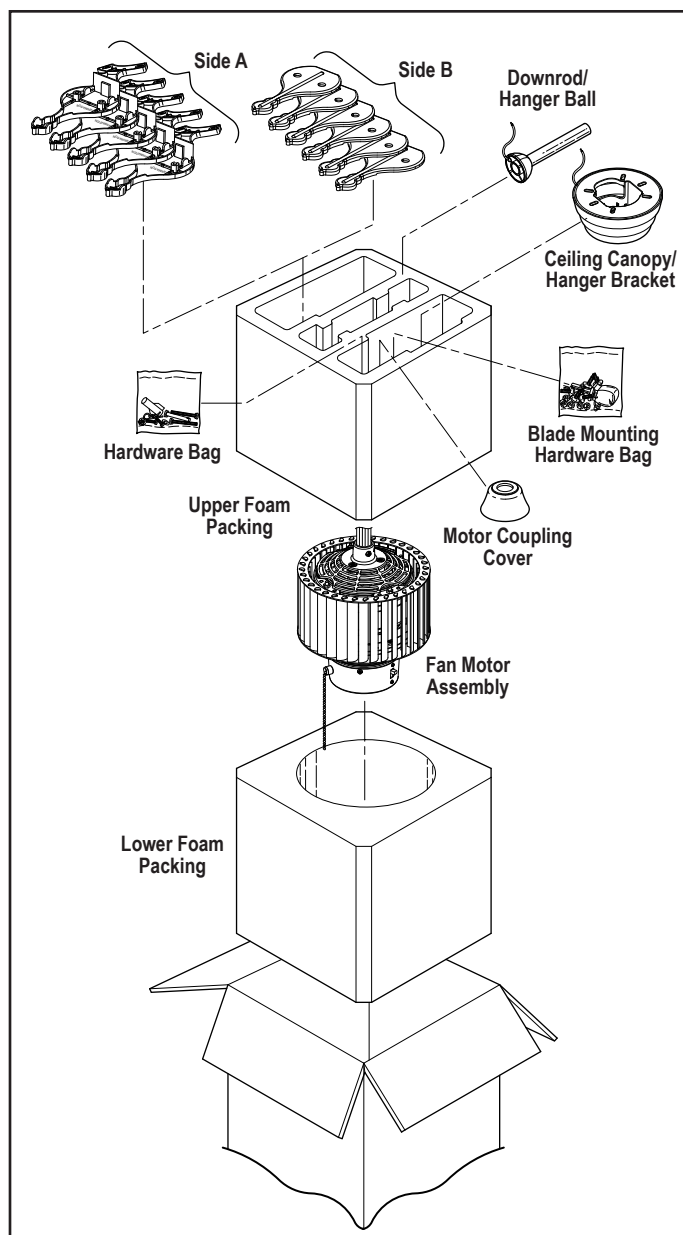
### ▲ WARNING

Do not install or use fan if any part is damaged or missing. This product is designed to use only those parts supplied with this product and/or any accessories designated specifically for use with this product by Fanimation. Substitution of parts or accessories not designated for use with this product by Fanimation could result in personal injury or property damage. Contact your retail store for missing or damaged parts.

1. Check to see that you have received the following parts:

**NOTE:** If you are uncertain of part description, refer to exploded view illustration. (Figure 20, page 13)

- Fan Motor assembly
- Downrod/Hanger Ball assembly
- Blade Holder pack containing:
  - Five blade holders (Side A)
  - Five blade holders (Side B)
- Ceiling Canopy
- Hanger Bracket
- Hardware bag:
  - Ten 10-32 x ½" (blade holder to fan motor assembly) screws
  - Two 5/32" threaded rods
  - Two 5/32" lockwashers
  - Two knurled knobs
  - Three wire connectors
  - Fanimation pull chain
- Motor Coupling Cover
- Blade Mounting Hardware Bag
  - Ten ¾-24 x ¾" screws (for use with Side A and Side B of the blade holder)
  - Fanimation screwdriver



## Electrical and Structural Requirements

Your new ceiling fan will require a grounded electrical supply line of 120 volts AC, 60 Hz, 15 amp circuit. The outlet box must be securely anchored and capable of withstanding a load of at least 50 lbs. **Figure 1** depicts different structural configurations that may be used for mounting the outlet box.

### ▲ WARNING

To reduce the risk of fire, electrical shock, or personal injury, mount fan to outlet box marked acceptable for fan support, and use screws supplied with outlet box. Most outlet boxes commonly used for support of light fixtures are not acceptable for fan support and may need to be replaced. Consult a qualified electrician if in doubt.

If your fan is to replace an existing light fixture, turn electricity off at the main fuse box at this time and remove the existing light fixture.

### ▲ WARNING

Turning off wall switch is not sufficient. To avoid possible electrical shock, be sure electricity is turned off at the main fuse box before wiring. All wiring must be in accordance with National and Local codes and the ceiling fan must be properly grounded as a precaution against possible electrical shock.

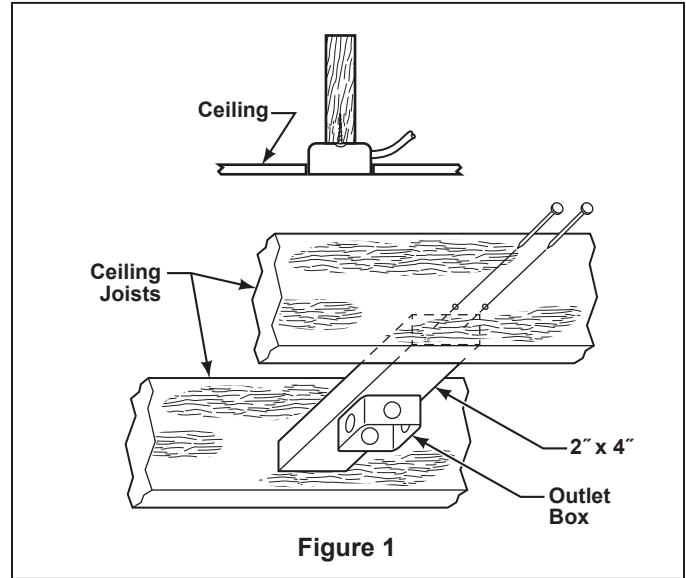


Figure 1

### ▲ WARNING

To avoid fire or shock, follow all wiring instructions carefully. Any electrical work not described in these instructions should be done or approved by a licensed electrician.

## Wiring and Control Options

Please choose one of the following options and proceed to the page as indicated.

1. Standard 4-position, 3-speed, pull chain switch and reverse slide switch, see page 7.
2. Optional fan & light remote control (C4), see page 8.

**NOTE:** If you are using a Fanimation Light Fixture with your fan, see Ceiling Fan Light Kit Installation Instructions (packed with light kit) for wiring.

3. Optional fan only wall slide control (C1), see page 9.

4. Optional fan & light slide wall control (C2) or optional 2-fan slide wall control (C5). Please see instructions provided with control.

**DAMP LOCATION CEILING FAN:** If you have purchased a Damp Location Ceiling Fan, you may only use light kits marked suitable for use in damp locations.

## How to Assemble Your Ceiling Fan

1. Prior to assembly, set aside and save the hardware bag(s) packed in the packing.
2. Remove the Hanger Ball by loosening the setscrew in the Hanger Ball until the ball falls freely down the Downrod. (Figure 2) Remove the Pin from the Downrod, then remove the Hanger Ball. Retain the Pin and Hanger Ball for reinstallation in Step 6.
3. The fan comes with blue, black, and white 80" wires. Separate and untwist the three wires. Route the wires through the Downrod.

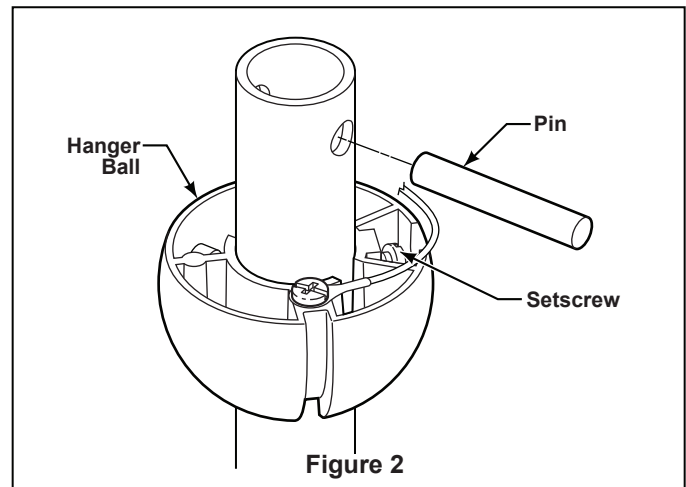


Figure 2

## How to Assemble Your Ceiling Fan (cont'd)

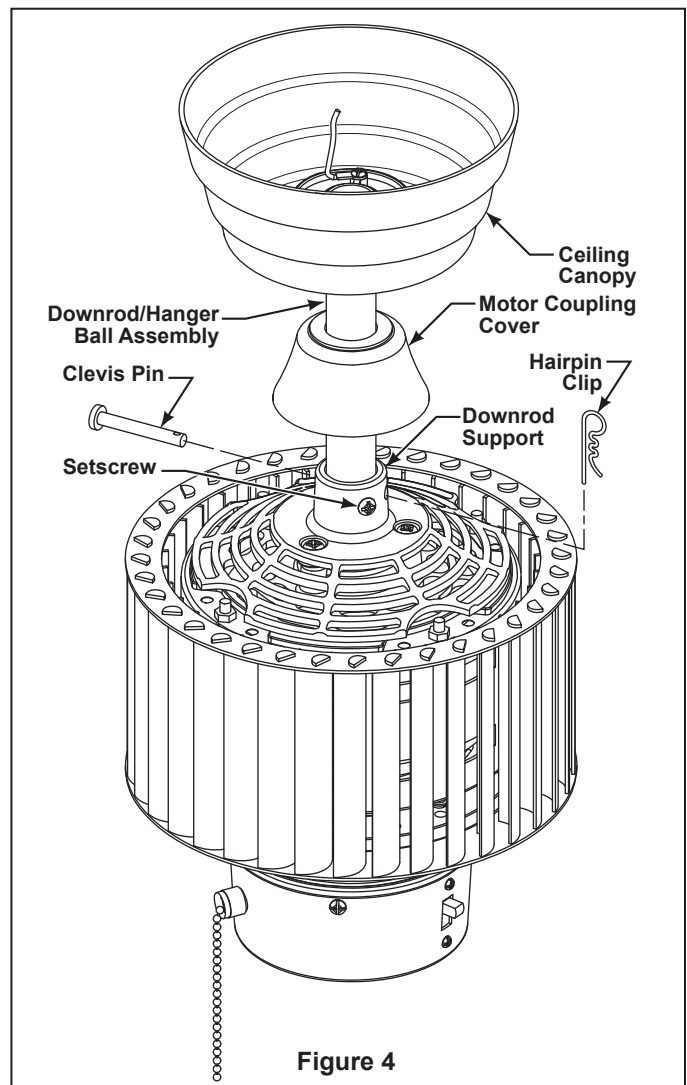
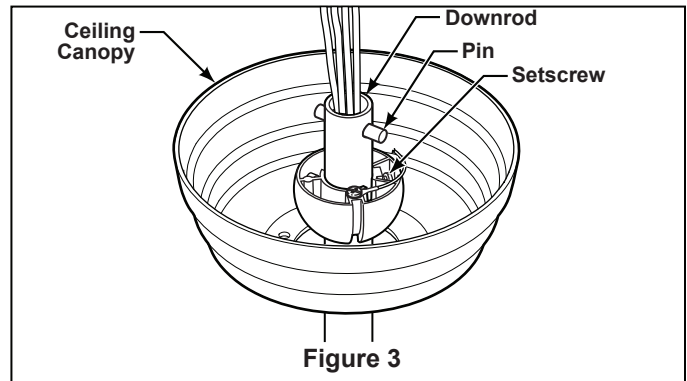
**NOTE:** You will be using either the 6" downrod supplied with your fan or an optional downrod purchased separately.

4. Loosen the two setscrews in the Downrod Support. Align the Clevis Pin holes in the Downrod with the holes in the Downrod Support. Install the Clevis Pin and secure with the Hairpin Clip. (Figure 4) Be sure to push the straight leg of the hairpin clip through the hole near the end of the clevis pin until the curved portion of the hairpin clip snaps around the clevis pin. The hairpin clip must be properly installed to prevent the clevis pin from working loose. Pull on the Downrod to make sure the clevis pin is properly installed.

**NOTE:** The setscrews must be properly installed as described above, or fan-wobble could result.

5. Route wires through opening in Canopy. Position Canopy on fan shown with open side facing up. (Figure 3)

6. Reinstall the Hanger Ball (Figure 3) on the Downrod as follows. Route the three 80" wires through the Hanger Ball. Position the Pin through the two holes in the Downrod and align the Hanger Ball so the Pin is captured in the groove in the top of the Hanger Ball. Pull the Hanger Ball up tight against the pin. **Securely tighten the setscrew in the Hanger Ball. A loose setscrew could create fan wobble.**



### ▲ WARNING

It is critical that the clevis pin in the downrod support is properly installed and the setscrews are securely tightened. Failure to verify that the pin and setscrews are properly installed could result in the fan falling.

7. While pulling up on the hanger ball, securely tighten the two 3/16-24 x 3/8" setscrews in the downrod support (Figure 4).

8. Slide the motor coupling cover down until it touches the top of the motor.

9. The fan comes with blue, black, and white leads. Before installing fan, measure up approximately 6-9 inches above top of Downrod/Hanger Ball Assembly. Cut off excess wire and strip back insulation 1/2" from end of wire.

10. You have now completed the assembly of your new ceiling fan. You can now proceed with the hanging and the electrical wiring of your fan.

### ▲ WARNING

To reduce the risk of personal injury, do not bend the blade holders when installing, balancing the blades or cleaning the fan. Do not insert foreign objects in between the rotating blades.

# How to Hang Your Ceiling Fan

## ⚠ WARNING

To avoid possible electrical shock, be sure electricity is turned off at the main fuse box before hanging.  
**NOTE:** If you are not sure if the outlet box is grounded, contact a licensed electrician for advice, as it must be grounded for safe operation.

## ⚠ WARNING

The fan must be hung with at least 7' of clearance from floor to blades (Figure 5)

## ⚠ WARNING

The outlet box must be securely anchored and capable of withstanding a load of at least 50 lbs. Hanger bracket must seat firmly against outlet box. If the outlet box is recessed, remove wallboard until bracket contacts box. If bracket and/or outlet box are not securely attached, the fan could wobble or fall.

## CAUTION

Do not connect fan blades until the fan is completely installed. Hanging fan with blades connected may result in damage to the fan blades.

1. Securely attach the hanger bracket to the outlet box using the outlet box screws and washers supplied with the outlet box (Figure 6).

**NOTE:** Outlet box screws pass through slotted holes of the hanger bracket (Figure 6).

2. Pull the electric wires in the outlet box down through the opening in the hanger bracket and bend wires up and out of the way so that the hanger ball will easily fit into the hanger bracket.

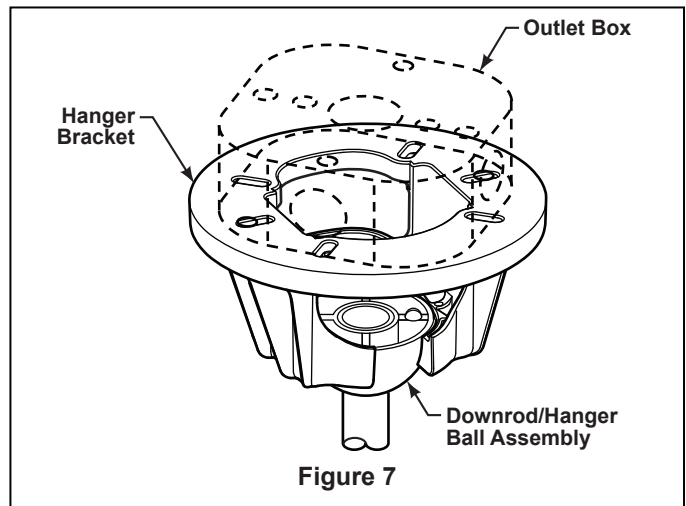
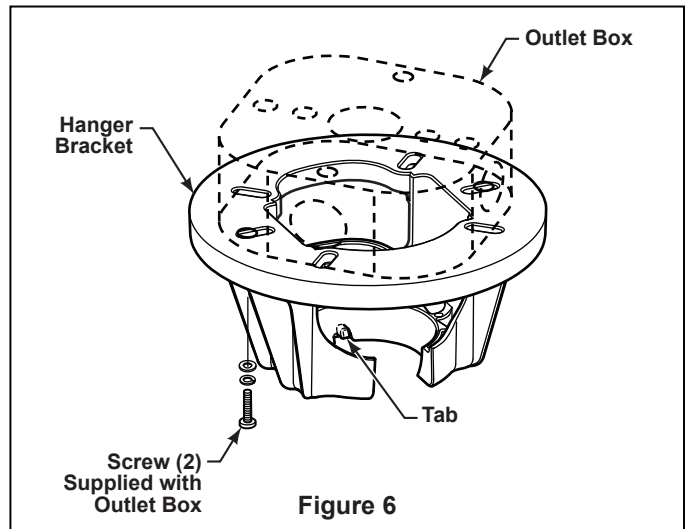
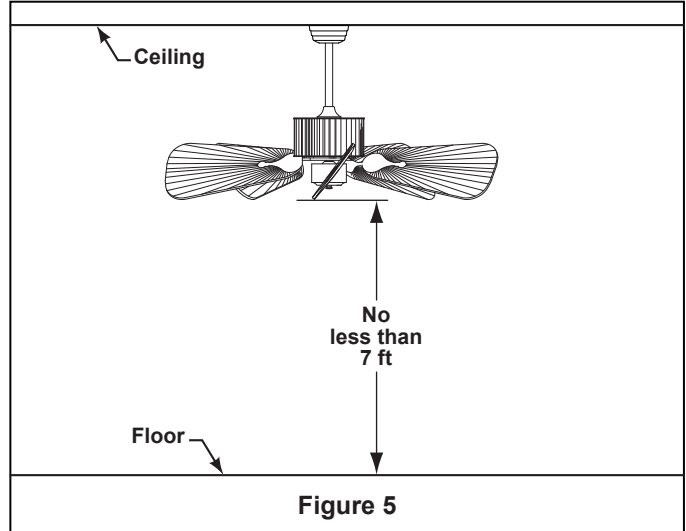
3. Carefully lift the fan and seat the downrod/hanger ball assembly on the hanger bracket that was just attached to the outlet box (Figure 7). Be sure the groove in the ball is lined up with tab on the hanger bracket (Figure 6).

## ⚠ WARNING

Failure to seat tab in groove could cause damage to electrical wires and possible shock or fire hazard.

## ⚠ WARNING

To avoid possible shock, do not pinch wires between the downrod/hanger ball assembly and the hanger bracket.



## INSTALLATION NOTE

If C4 Remote Control (optional) is desired, a Remote Receiver Unit must be installed (after setting the code) in the Hanger Bracket prior to wiring your ceiling fan. See page 8

## How to Wire Your Ceiling Fan - Pull Chain

If you feel that you do not have enough electrical wiring knowledge or experience, have your fan installed by a licensed electrician.

### ⚠ WARNING

To avoid possible electrical shock, be sure electricity is turned off at the main fuse box before wiring.  
**NOTE: If you are not sure if the outlet box is grounded, contact a licensed electrician for advice, as it must be grounded for safe operation.**

1. Connect the green grounding lead from the hanger ball and the green grounding lead from the hanger bracket to the supply grounding conductor (this may be a bare wire or wire with green colored insulation). Securely connect wires with wire connectors supplied.

2. Securely connect the white fan motor wire to the white supply (neutral) wire using wire connector supplied. Securely connect the black fan motor wire and blue wire to the black supply wire using wire connector supplied (Figure 8). After connections have been made, turn leads upward and carefully push leads into the outlet box, with the white and green leads on one side of the outlet box and the black and blue leads on the other side of the outlet box.

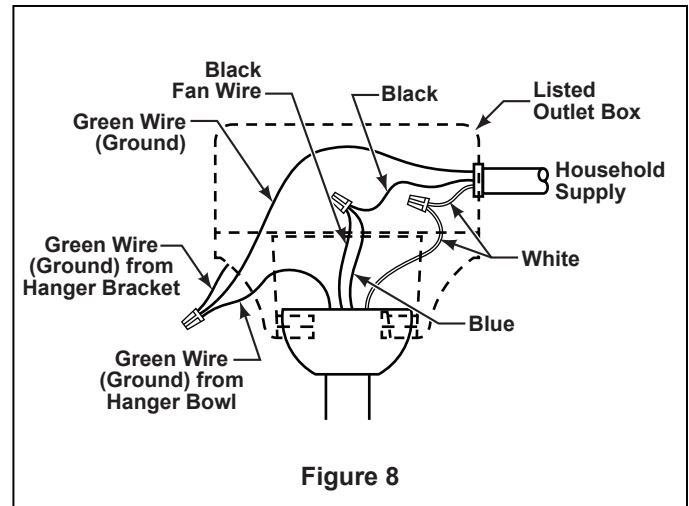


Figure 8

3. Secure the ceiling canopy to the hanger bracket with threaded rods, external lockwashers, and knurled knobs provided (see page 10). Your fan is now wired to be turned on and off from the fan pull chain speed control.

### INSTALLATION NOTE

If separate control of light fixture (optional) is desired, a separate switch leg from the outlet box is required. In this instance the blue wire from the fan will be connected to the light switch leg (typically red wire)

### ⚠ WARNING

Check to see that all connections are tight, including ground, and that no bare wire is visible at the wire connectors, except for the ground wire. Do not operate fan until the blades is in place. Noise and fan damage could result.

## Operating Instructions - Pull Chain

1. Restore electrical power to the outlet box by turning the electricity on at the main fuse box.
2. Check the operation of the fan by gently pulling on the pull chain switch. (Figure 9)
3. If airflow is desired in the opposite direction, turn the fan off and wait for the blades to stop turning. Then slide the reverse switch to the opposite position and turn fan on again. Your fan model is equipped with a 4-position, 3-speed, pull chain switch. The operating sequence is as follows:

1st Pull = HIGH	3rd Pull = LOW
2nd Pull = MEDIUM	4th Pull = OFF

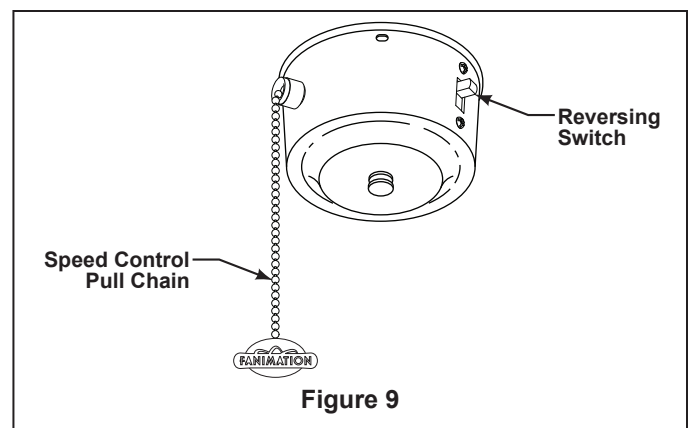


Figure 9

# How to Wire Your Ceiling Fan - C4 Hand-held Remote (Optional)

If you feel that you do not have enough electrical wiring knowledge or experience, have your fan installed by a licensed electrician.

**NOTE:** If fan or supply wires are different colors than indicated, have this unit installed by a qualified electrician.

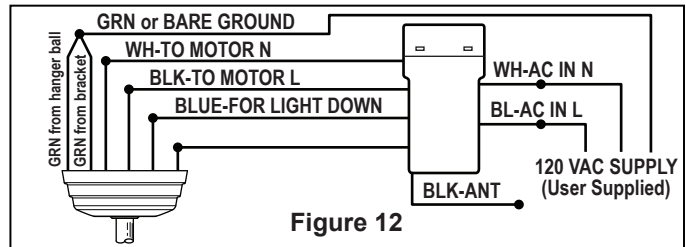
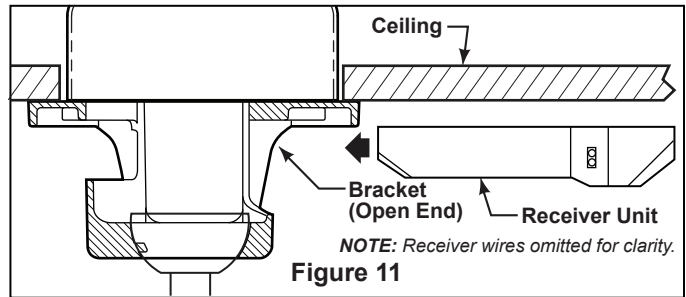
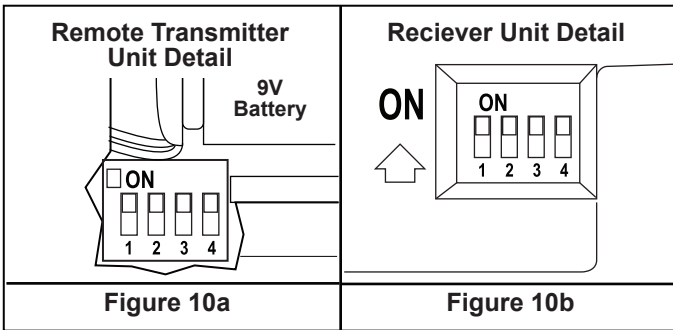
## ⚠ WARNING

To avoid possible electrical shock, be sure electricity is turned off at the main fuse box before wiring.  
**NOTE:** If you are not sure if the outlet box is grounded, contact a licensed electrician for advice, as it must be grounded for safe operation.

**1. Setting the Code:** The remote unit has 16 different code combinations. To prevent possible interference from or to other remote units such as garage door openers, car alarm or security systems, simply change the combination code in your transmitter and receiver. To set the code, perform these steps.

- **Transmitter:** remove battery cover. Press firmly below arrow and slide battery cover off. Slide code switches to your choice of up or down position. Factory setting is all up. Do not use this position. With a small screwdriver or ball point pen slide firmly up or down (Figure 10a). Replace battery cover on the transmitter.

- **Receiver:** Slide code switches to the same positions as set on your transmitter (Figure 10b).



## 2. Installing Receiver in Hanger Bracket:

- Slide remote Receiver into the Hanger Bracket (Figure 11).
- Connect wires as indicated: (Figure 12)
  - Green Hanger Bracket and Hanger Ball wires to BARE (ground) wire.
  - BLACK Receiver Unit wire (AC IN L) to BLACK supply wire.
  - WHITE Receiver Unit wire (AC IN N) to WHITE supply wire.
  - WHITE Receiver Unit wire (TO MOTOR N) to WHITE fan wire.
  - BLACK Receiver Unit wire (TO MOTOR L) to BLACK fan wire.
  - BLUE Receiver Unit wire (FOR LIGHT DOWN) to BLUE light wire.
- Position all connected wires and receiver antenna to allow installation of ceiling canopy.
- To install ceiling canopy, see page 10.
- Restore electrical power.

# Operating Instructions - C4 Hand-held Remote (Optional)

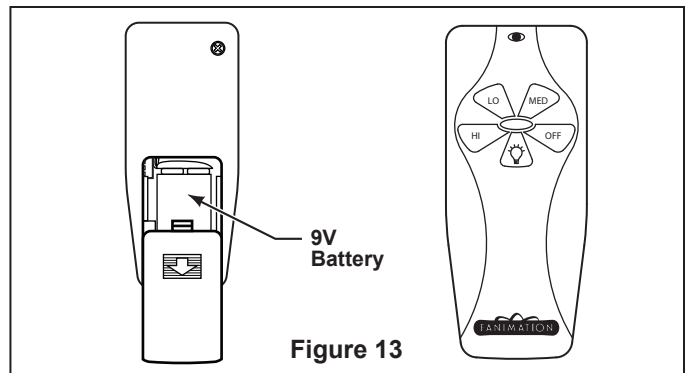
## ⚠ WARNING

Check to see that all connections are tight, including ground, and that no bare wire is visible at the wire connectors, except for the ground wire. Do not operate fan until the blades is in place. Noise and fan damage could result.

**NOTE:** Set pull chain to high speed before using the remote control. To avoid accidental pull chain use, shorten chain by cutting it 2 to 4 inches below switch body. You can now use your speed control to select any of the 3-speeds plus OFF.

**1. Operating & Using Remote Transmitter (Figure 13):** Install 9 volt battery (If not using for long periods of time, remove battery to prevent damage to transmitter). Store the transmitter away from excess heat or humidity.

- HI Push Button – high fan speed
- MED Push Button – medium fan speed
- LOW Push Button – low fan speed
- OFF Push Button – fan off
- Light Push Button – no function (unless light kit is installed)





## How to Wire Your Ceiling Fan - C1 Wall Control (Optional)

**NOTE:** If fan or supply wires are different colors than indicated, have this unit installed by a qualified electrician.

1. Complete steps 1 thru 3 “How to Wire Your Fan - Pull Chain” from page 7.

2. Installing Wall Control (Figures 14 & 15):

- With electrical power still disconnected, remove the existing wall plate and switch.
- Make wiring connections with wire nuts as shown in Figure 14.
  - One black wire from wall control unit to black (hot supply).
  - One black wire from wall control unit to black wire leading to ceiling outlet box.
- Attach wall control unit to outlet box using the two 6-32 screws provided.
- Attach wall plate to the switch control front using the two small screws provided.
- Restore electrical power.

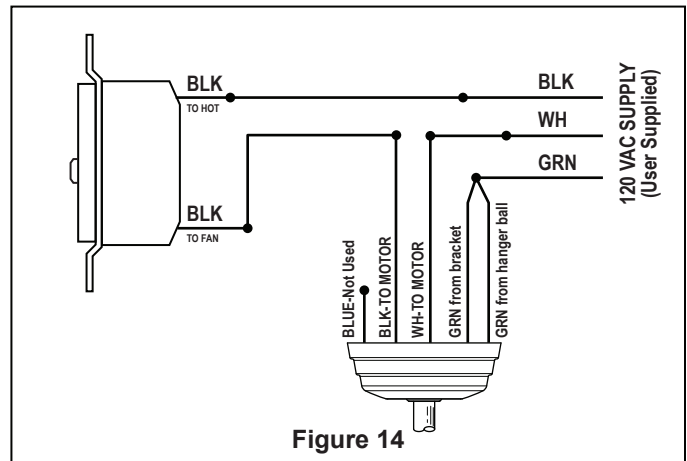


Figure 14

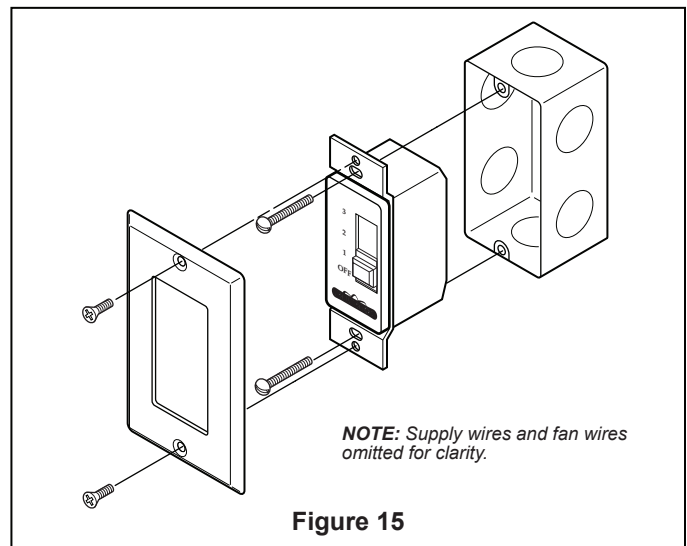


Figure 15

### ⚠ WARNING

To avoid possible fire or shock, make sure that the electrical wires are completely inside the outlet box and not pinched between the wall plate and the wall.

### ⚠ WARNING

Check to see that all connections are tight, including ground, and that no bare wire is visible at the wire connectors, except for the ground wire. Do not operate fan until the blades is in place. Noise and fan damage could result.

## Operating Instructions - C1 Wall Control (Optional)

1. Operating & Using Wall Control (Figure 16):

**NOTE:** Set pull chain to high speed before using the remote control. To avoid accidental pull chain use, shorten chain by cutting it 2 to 4 inches below switch body. You can now use your speed control to select any of the 3-speeds plus OFF.

- 3 Slide Switch – high fan speed
- 2 Slide Switch – medium fan speed
- 1 Slide Switch – low fan speed
- OFF Switch – fan off

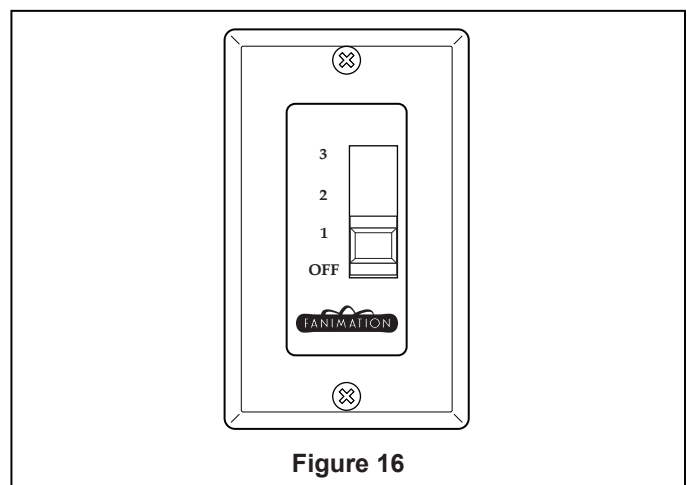


Figure 16

## Installing the Canopy Housing

**NOTE:** This step is applicable *after* the necessary wiring is completed. (see pages 7, 8 or 9)

### ⚠ WARNING

To avoid possible fire or shock, make sure that the electrical wires are completely inside the canopy housing and not pinched between the housing and the ceiling.

1. Screw in two threaded rods into the Hanger Bracket (Figure 17a).

**NOTE:** The threaded rods in the hanger bracket serves as guides for easier installation.

2. Securely attach the Canopy Housing to the Hanger Bracket using the external lockwashers and knurled knobs supplied with your fan (Figure 17b).

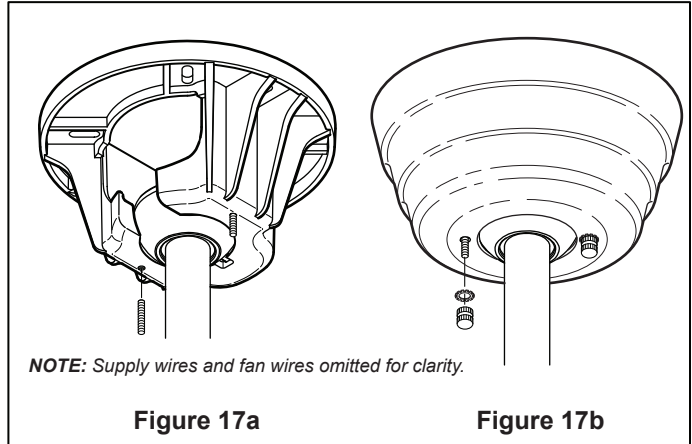


Figure 17a

Figure 17b

## Mounting the Fan Blades

You will find the fan blade set packed in its own carton and the blade holders and hardware bag in the upper foam packing in the fan box. The hardware bag for the blade holders consists of 10 screws and a Phillips head screwdriver.

### INSTALLATION NOTE

**Do not connect fan blades until the fan is completely installed. Installing the fan with blades assembled may result in damage to the fan blades.**

1. Lay side "A" of the blade holder on a flat surface with the inside of the blade holder facing up. This is the side with the threaded posts and pitched foot.

2. Position the palm leaf, or the woven bamboo blade, or the wicker blade over the blade holder with the threaded posts showing. Make sure the bottom edge of the blade is fully seated against the blade holder.

3. Place side "B" of the blade holder on top of the blade, positioning the holes over the threaded posts.

4. With a Phillips screwdriver, thread both screws into the posts but do not fully tighten.

5. Prior to final tightening, position the centerline of the blade holder with the center of the end of the blade.

6. Tighten both screws to secure the blade. (Figure 18)

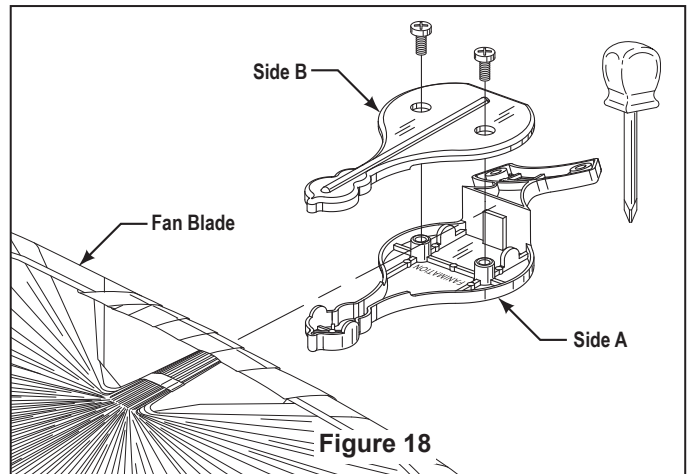


Figure 18

**NOTE:** Optional Wood blades and Blades Holders, Canvas blades and The Ococee™ kayak oar blades are available for this assembly.

### INSTALLATION NOTE

**Attach the Blade Holders to the Motor Housing using the holes marked #5. The two screws holding the Motor Housing to the fan body will come mounted in #4 holes and should remain in place. Two of the five blade holders will cover these two screws.**

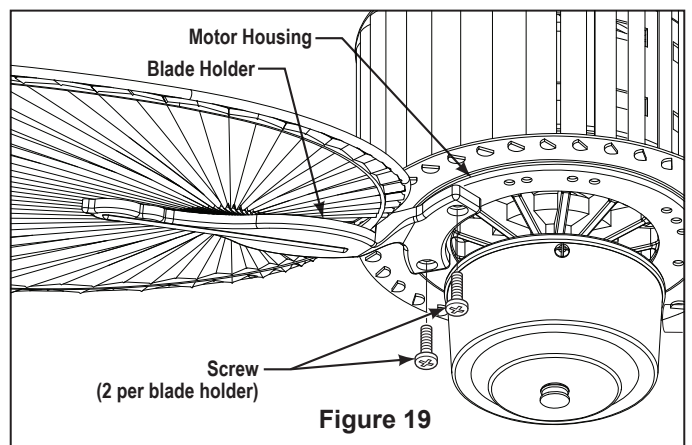


Figure 19

---

## Mounting the Fan Blades (cont'd)

7. Attach Blade Holders to the bottom of the Motor Housing using the 10-32 x 1/2" Flywheel Screws as shown in Figure 19.

8. Make sure the screws securing the Blade Holders to the Motor Housing are tight and that the Blade Holders are properly seated on the Motor Housing. (Figure 19)

---

## Maintenance

Periodic cleaning of your new ceiling fan is the only maintenance that is needed.

When cleaning, use only a soft brush or lint free cloth to avoid scratching the finish.

Abrasive cleaning agents are not required and should be avoided to prevent damage to finish.

<b>CAUTION</b>
<b>Do not use water when cleaning your ceiling fan. It could damage the motor or the blades and create the possibility of electrical shock.</b>

---

## Blade Cleaning

Periodic light dusting of the Palm Leaf, Woven Bamboo, or Wicker blades is recommended. A feather duster will work best.

Avoid using water, cleansers, or harsh rags, which can warp and ruin the blades.

# Parts List

Model #FP1320\*\*

Ref. #	Description	Part #
1	Hanger Bracket Assembly	APG510BL
3	Ceiling Canopy	PG160**
	<i>Hardware Bag Containing:</i>	HDWFP320
4	5/32" Threaded Rods (2)	
5	5/32" External Lockwasher (2)	
6	Knurled Knobs (2)	
13	10-32 x 1/2" Flywheel Screws (10)	
14	Wire Connectors (3)	
20	Chain Coupler	
21	Chain Fob	
2	<i>Downrod/Hanger Ball Assembly Containing:</i>	ADR6**
7	Downrod	
8	Clevis Pin	
9	Bridge Pin	
10	Fan Motor Assembly	AMA1320**
11	Switch Cup Housing Assembly	AP3245**
12	Wiring Harness	AP3230**
15	Cover Blade Holders (Set of 5)	AP3220**
16	Blade Holders (Set of 5)	AP3210**
	<i>Blade Mounting Hardware Bag Containing:</i>	BMH5**
17	3/16-24 x 3/8" Phillips Screws (11 pc)	
18	Phillips Screwdriver	
19	Motor Coupling Cover	MCC320**

\*\*Insert FINISH CODES (Refer to fan model number located on downrod support)

**Before discarding packaging materials, be certain all parts have been removed**

### How To Order Parts

When ordering repair parts, always give the following information:

- Part Number
- Part Description
- Fan Model Number

Contact your retail store for repair parts.

# The Lourve® FP1320\*\* Exploded-View

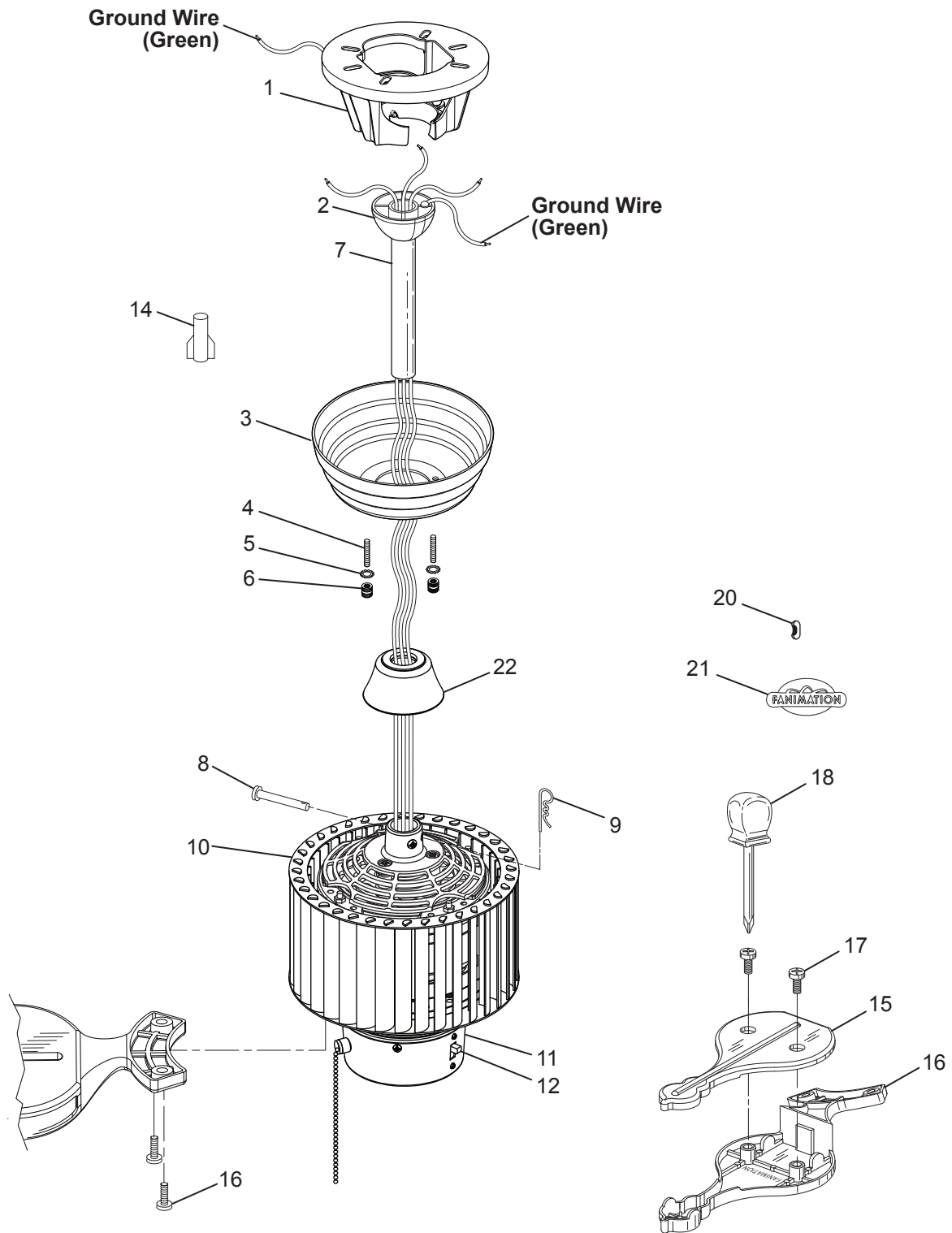


Figure 20

**NOTE:** The illustration shown is not to scale or its actual configuration may vary

# Trouble Shooting

## ⚠ WARNING

For your own safety turn off power at fuse box or circuit breaker before trouble shooting your fan.

Trouble	Probable Cause	Suggested Remedy
<b>1. FAN WILL NOT START</b>	<ol style="list-style-type: none"> <li>1. Fuse or circuit breaker blown.</li> <li>2. Loose power line connections to the fan, or loose switch wire connections in the switch housing.</li> <li>3. Reversing switch in neutral position.</li> <li>4. Dead battery in remote control.</li> </ol>	<ol style="list-style-type: none"> <li>1. Check main and branch circuit fuses or circuit breakers.</li> <li>2. Check line wire connections to fan and switch wire connections in the switch housings.</li> </ol> <p><b>CAUTION: Make sure main power is turned off !</b></p> <ol style="list-style-type: none"> <li>3. Make sure reversing switch position is all the way to one side.</li> <li>4. Replace with fresh battery.</li> </ol>
<b>2. FAN SOUNDS NOISY</b>	<ol style="list-style-type: none"> <li>1. Blades not attached to fan.</li> <li>2. Loose screws in motor housing.</li> <li>3. Screws securing fan blade holders to motor flywheel are loose.</li> <li>4. Wire connectors inside housing rattling.</li> <li>5. Motor noise caused by solid state variable speed control.</li> <li>6. Screws holding blades to blade holders are loose.</li> <li>7. Rubber flywheel set screw loose.</li> </ol>	<ol style="list-style-type: none"> <li>1. Attach blades to fan before operating.</li> <li>2. Check to make sure all screws in motor housing are snug (not over-tight).</li> <li>3. Check to make sure the screws which attach the fan blade holders to the motor flywheel are tight.</li> <li>4. Check to make sure wire connectors in switch housing are not rattling against each other or against the interior wall of the switch housing.</li> </ol> <p><b>CAUTION: Make sure main power is turned off !</b></p> <ol style="list-style-type: none"> <li>5. Some fan motors are sensitive to signals from solid-state variable speed controls. Solid-state controls are not recommended, choose an alternative control method.</li> <li>6. Tighten screws securely.</li> <li>7. Tighten set screw securely.</li> </ol>
<b>3. FAN WOBBLER EXCESSIVELY</b>	<ol style="list-style-type: none"> <li>1. Setscrew in downrod support is loose.</li> <li>2. Setscrew in downrod/hanger ball assembly is loose.</li> <li>3. Screws securing fan blade holders to flywheel are loose.</li> <li>4. Blade holders not seated properly.</li> <li>5. Hanger bracket and/or ceiling outlet box is not securely fastened.</li> <li>6. Fan blades out of balance.</li> </ol>	<ol style="list-style-type: none"> <li>1. Tighten both setscrews securely in downrod support.</li> <li>2. Tighten the setscrew in the downrod/hanger ball assembly.</li> <li>3. Check to be sure screws which attach the fan blade holders to the flywheel are tight.</li> <li>4. Check to be sure the fan blade holders seat firmly and uniformly to the surface of the motor housing. If holders are seated incorrectly, loosen the screws and retighten.</li> <li>5. Tighten the hanger bracket screws to the outlet box, and secure outlet box.</li> <li>6. Interchanging position of fan blades can redistribute the weight and result in a smoother operation. For example, exchange blades in positions 1 and 3 or 1 and 4. If this does not improve wobble, exchange 2 and 4 or 2 and 5.</li> </ol>
<b>4. NOT ENOUGH AIR MOVEMENT</b>		<ol style="list-style-type: none"> <li>1. If possible, consider using a longer downrod. For example, use a 12" downrod instead of the 6" downrod that comes with your fan.</li> <li>2. Change your blade configuration from 5 blades to 4 blades. The flywheel will accommodate both a 5-blade and 4-blade configuration.</li> <li>3. Consider using a narrow blade instead of the wide oval. Narrow blades are available in the palm leaf and woven bamboo series.</li> </ol>





**10983 Bennett Parkway  
Zionsville, IN 46077  
(888) 567-2055**

**FAX (866) 482-5215**

**Outside U.S. call (317) 773-4113**

**Visit Our Website @ [www.fanimation.com](http://www.fanimation.com)**