

## PRO-SERIES LED DIMMABLE UNDERCABINET LIGHTING

For use with 120V, 60Hz electrical power supply only.

**WARNING: TO PREVENT OVERHEATING AND ELECTRICAL SHOCK DO NOT INSTALL IN SMALL ENCLOSED SPACES. TO PREVENT ELECTRICAL SHOCK DO NOT INSTALL IN WET ENVIRONMENTS.**

## SAVE THESE INSTRUCTIONS

### IMPORTANT SAFEGUARDS:

When using electrical equipment, always adhere to basic safety precautions including the following:

1. Read all of these instructions before installing fixture.
2. Keep these instructions in a safe place for future reference.
3. Only qualified electricians in accordance with local codes should perform all installations.
4. **WARNING: For hard wire installation (NM & BX) make sure electrical power supply for installation circuit is shut down at electrical service panel before starting installation. Do not re-energize circuit until installation is fully completed.**
5. Fixture is designed to be electrically grounded for hard wire (NM & BX) installations. **WARNING: To prevent shock closely follow grounding directions.**

### WAYS TO ELECTRICALLY FEED UPLED 14", 20" & 30" FIXTURES

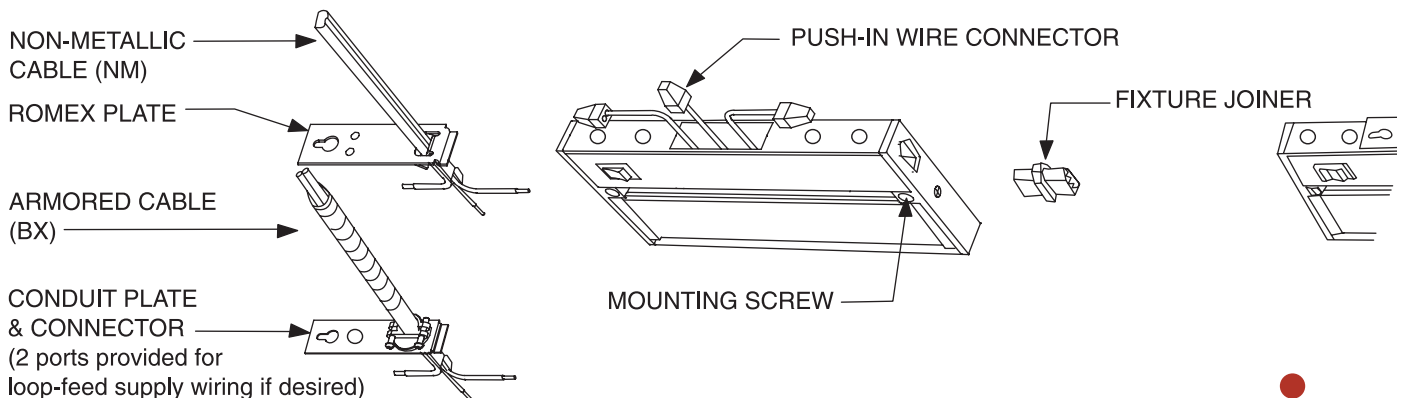
Electrical power can be brought to the fixture using different techniques:

- Non-Metallic Cable (NM) using ROMEX PLATE (provided) and mounted on fixtures.
- Armored Cable (BX) using optional CONDUIT PLATE and die-cast aluminum electrical connector (provided loose).
- Connections can also be made using fixture knockouts (14", 22" & 30" units) and connector supplied loose.
- Wiring module accessory ULH-DWM (sold separately) can be used for forward mount applications if necessary to allow for remote supply wiring. Can be used with all (4) fixture lengths.
- Since 9" unit cannot be direct wired, the ULH-DWM or another UPLED fixture should be used in conjunction with a 9" unit.

2. Push NM supply cable through rectangular wire grip in plate so outer jacket of cable projects about 3/4" through plate.
3. Inside fixture are three wires with PUSH-IN WIRE CONNECTORS fitted to each end. Carefully pull these out of fixture. Do not pull with excessive force.
4. Using strip length guide on PUSH-IN WIRE CONNECTORS make sure lengths of exposed wire on supply cable are correct.
5. Insert each of the three wires from the NM supply cable into each of the three PUSH-IN WIRE CONNECTORS with respective color wires. Black to black, white to white, and green (or bare copper wire) to green. Make sure that feed wires are securely gripped by the PUSH-IN WIRE CONNECTORS and that with the exception of a bare ground wire, none of the supply wires show exposed wire where they enter the PUSH-IN WIRE CONNECTORS.
6. Neatly push wires and PUSH-IN WIRE CONNECTORS into opening in back of the fixture.
7. Properly engage ROMEX PLATE in back of fixture and tighten screw. Do not over tighten screw. Make sure that lock washer is installed under head of screw for proper grounding.

### WIRING CONNECTIONS – UPLED 14", 20" & 30" Fixtures Non-Metallic Cable (NM)

1. Loosen screw on ROMEX PLATE and remove.



Wiring methods shown for use with UPLED 14", 20" & 30" fixtures only.

## PRO-SERIES LED DIMMABLE UNDERCABINET LIGHTING

### WIRING CONNECTIONS – UPLED 14", 20" & 30" Fixtures Armored Cable (BX)

1. Loosen screw on ROMEX PLATE. Remove plate and discard.
2. Mount die-cast aluminum electrical connector to the flat side of the CONDUIT PLATE. Securely tighten nut.
3. Push BX cable into connector. Make sure BX cable has a properly installed plastic insulating bushing (not provided). Tighten clamp screws securely making sure that BX cable remains fully seated in connector during tightening.
4. Perform steps 3-7 from NM cable instructions listed on page 1.

**NOTE:** In some BX installations there may not be a separate grounding wire provided. Grounding is achieved through the spiral wound metal jacket of the BX cable.

**NOTE:** The die-cast aluminum connector can also be used with NM cable if desired.

**NOTE:** Two die-cast connectors can be used for loop feed supply wiring (14", 22" & 30" units) if desired. (For second die-cast connector, order accessory ULH-CONN.)

### 120V FIXTURE DIMMING\*

Fixtures are dimmable with the use of most 120V incandescent, magnetic low voltage and electronic low voltage wall box dimmers.

\* Consult Technical Services at (888) 387-2212 or [www.junolightinggroup.com](http://www.junolightinggroup.com) for dimmer compatibility. Electronic low voltage dimmers require a neutral wire connection in the wall box.

### MOUNTING FIXTURE

1. Place fixture in desired position.
2. Drive fixture MOUNTING SCREWS securely. Mounting screws are suitable for cabinet bottoms 3/8" or thicker. Use shorter screws for cabinet bottoms thinner than 3/8".
3. In some installations it may be desired to drill a pilot hole for the screws. Place the fixture in the desired position and drive MOUNTING SCREWS a small amount to impart a small reference point for drilling.
4. Make sure that all unused electrical ports on the ends of the fixture are safely protected with ELECTRICAL PORT COVERS (two provided with each fixture).
5. Re-energize electrical circuit at service panel.
6. Fixture has a two-position switch: ON/OFF.

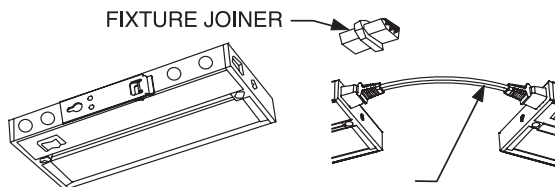
### JOINING MULTIPLE FIXTURES

1. **WARNING: In multiple fixture installations do not electrify fixture group until all electrical connections have been securely mounted. Electrical port covers must be installed in all open ports at the completion of installation.**
2. Fixtures can be joined together using FIXTURE JOINER (one provided with each fixture) or with JUMPER CORD accessory (Cat. No. JC3, sold separately).
3. **WARNING: The total number of fixtures that can be joined together and powered from one electrical feed port is governed by the total current per electrical feed point (5A MAXIMUM).**

4. First mount fixture that receives incoming electrical supply. With a small screwdriver remove ELECTRICAL PORT COVERS as needed. When using FIXTURE JOINER to add fixtures make sure JOINER is fully seated in both fixtures. Fixtures should fit fully and squarely end-to-end when mounting is complete.
5. When using JUMPER CORD accessory, make sure plugs on both ends are fully inserted into ports on both fixtures. There should be some slack in the JUMPER CORD so that the electrical connectors are not stressed in any way. Use cord clips (provided), as desired, to keep cord safely snug to mounting surface.
6. **WARNING: Do not use JUMPER CORD as a means to turn fixtures on and off.**

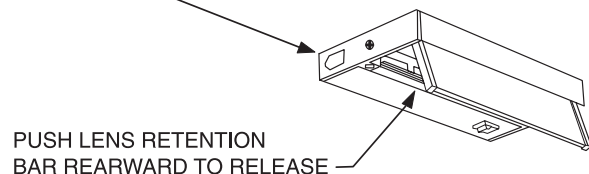
### LENS CLEANING

1. Before opening fixture make sure it has fully cooled down.
2. Turn off electrical power at service panel.
3. Lower lens by pushing LENS RETENTION BAR towards rear of fixture. Lens will swing downward.
4. Lens can be fully removed for cleaning. While lens is in straight down position, grasp right side lens end cap and push rearward about 1/4". Pull down and remove lens.
5. Clean lens only with warm water and a mild detergent solution. Do not use abrasive powders or petroleum solvents to clean lens. Dry lens completely before re-inserting into fixture.
6. Replace lens by first inserting pin into hole in left side of fixture. Push right pin up into slot on right side of fixture and pull lens forward about 1/4" until it stops. Swing lens back and up into fixture while simultaneously pushing lens retention bar rearward. Release lens retention bar to secure lens.



JUMPER CORD AVAILABLE IN 8", 17" AND 26" LENGTHS. BLACK OR WHITE FINISH. (order separately)

ELECTRICAL PORT COVERS MUST BE INSTALLED IN ALL OPEN PORTS AT COMPLETION OF INSTALLATION



PUSH LENS RETENTION BAR REARWARD TO RELEASE

### WARRANTY

Juno Lighting Group provides five year limited warranty on LED components from date of purchase. Juno Lighting Group's obligation is expressly limited to repair or replacement, without charge, at Juno Lighting Group's factory after prior written return authorization has been granted. This warranty shall not apply to products which have been altered or repaired outside of Juno Lighting Group's factory. This warranty is in lieu of all other warranties, expressed or implied, and without limiting the generality of the foregoing phrase, excludes any implied warranty of merchantability. Also, there are no warranties which extend beyond the description of the product on the company's literature setting forth terms of sale.

Product Services Phone (888) 387-2212

1300 South Wolf Road • Des Plaines, IL 60018 • Phone 800-323-5068 • [www.junolightinggroup.com](http://www.junolightinggroup.com)



JUNO LIGHTING GROUP  
by Schneider Electric