



UNDERCABINET LIGHTING

Project: _____

Fixture Type: _____

Location: _____

Contact/Phone: _____

PRO-LED

3000K LEDs

**UPL09, UPL14,
UPL22 and UPL30**

PRODUCT DESCRIPTION

The Pro-LED modular series with integral electronic driver operates 3000K LEDs for maintenance free 50,000 hour life using 1/8 the energy and virtually no heat when compared to halogen & xenon. Pro-LED fixtures are optimized for fast permanent installation, mounting either flush to the rear backsplash or to the front lip of cabinetry to suit project conditions and homeowner preference. Pro-LED fixtures are environmentally friendly and contain no harmful mercury.

PRODUCT SPECIFICATIONS

LEDs Utilizes Nichia nominal 1-watt warm-white 3000K LEDs
 • Light output equivalent to Pro-Halogen & Pro-Xenon fixture series
 • Provides 50,000 hour service life.

Driver Integral electronic 120-volt to 300mA constant current driver is accessible without having to remove fixture.

Housing Slim 1" profile • Modular plug-together design
 • Extruded Aluminum • Designer white, black, brushed bronze, or brushed silver.

Diffuser Clear prismatic tempered glass lens for maximum light transmission • Reverse-angled to minimize perceived brightness.

Switch Convenient integral On/Off rocker switch.

Dimming Not Dimmable.

Labels UL Listed.

INSTALLATION

UPL series fixtures are optimized with a center rear wiring access compartment and push-in 3-wire electrical connectors for quick electrical connection without having to open the fixture or remove the lens. Rear wiring access compartment covers provided with push-in connector for non-metallic cable and knockouts for feed thru wiring capability. Multiple off-center knockouts provided in 14", 22" and 30" fixtures. Die-cast fitting for 3/8" flexible metal conduit supplied in a hardware pack. Fixtures may be mounted flush to the backsplash or up against the front lip of the cabinetry using captive mounting screws.

Portable To install as a portable fixture, use the optional 3-wire grounded cord & plug (ULH-CP sold separately).

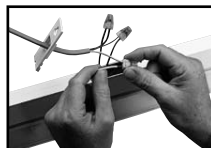
Optional Direct Wire Optional direct-wire module (ULH-DWM sold separately) facilitates code-compliant installation of fixture at front edge of cabinetry. Supplied with 36" field-shortenable jumper cord to bring power to either end of the fixture.

Electrically Connecting Multiple Fixtures Connect multiple fixtures for up to 5 amps maximum combined operating current. Fixtures may be electrically joined together using either the straight joiner connector supplied with each fixture or the optional JC3 jumper cords. See accessories table for lengths and colors. See engineering data table for input current draw of each fixture size.

PRO-LED 5 MINUTE DIRECT-WIRE INSTALLATION



Step 1 Attach supply wires to rear access cover.



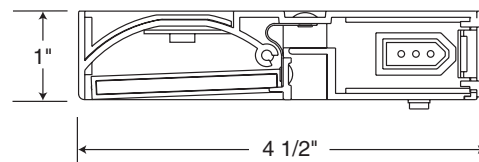
Step 2 Connect supply wires to fixture leads using push-in connectors.



Step 3 Mount fixture to cabinet bottom using captive mounting screws.

REV-11/08

DIMENSIONS



ENGINEERING DATA

	UPL09	UPL14	UPL22	UPL30
Total input power (watts)	3	5	7.4	9.5
Total Operating AMPS	.07	.09	.14	.17
Efficacy (lumens/watt)	43	49	51	52

PRODUCT CODES

Catalog Number	Finish	Overall Length	Number of 1W LEDs
UPL09-BL	Black	9 1/2"	2
UPL09-BZ	Brushed Bronze	9 1/2"	2
UPL09-SL	Brushed Silver	9 1/2"	2
UPL09-WH	Designer White	9 1/2"	2
UPL14-BL	Black	14"	4
UPL14-BZ	Brushed Bronze	14"	4
UPL14-SL	Brushed Silver	14"	4
UPL14-WH	Designer White	14"	4
UPL22-BL	Black	22"	6
UPL22-BZ	Brushed Bronze	22"	6
UPL22-SL	Brushed Silver	22"	6
UPL22-WH	Designer White	22"	6
UPL30-BL	Black	29 1/4"	8
UPL30-BZ	Brushed Bronze	29 1/4"	8
UPL30-SL	Brushed Silver	29 1/4"	8
UPL30-WH	Designer White	29 1/4"	8

ACCESSORIES

Catalog No.	Description
JC3-8-WH,-BL	8" Jumper Cord
JC3-17-WH,-BL	17" Jumper Cord
JC3-26-WH,-BL	26" Jumper Cord
ULH-CONN	3/8" Miniature Die-Cast Electrical Connector
ULH-CP-WH,-BL	3-Wire Grounded Cord & Plug
ULH-DWM-WH,-BL	Direct-Wire Module

UNDERCABINET LIGHTING

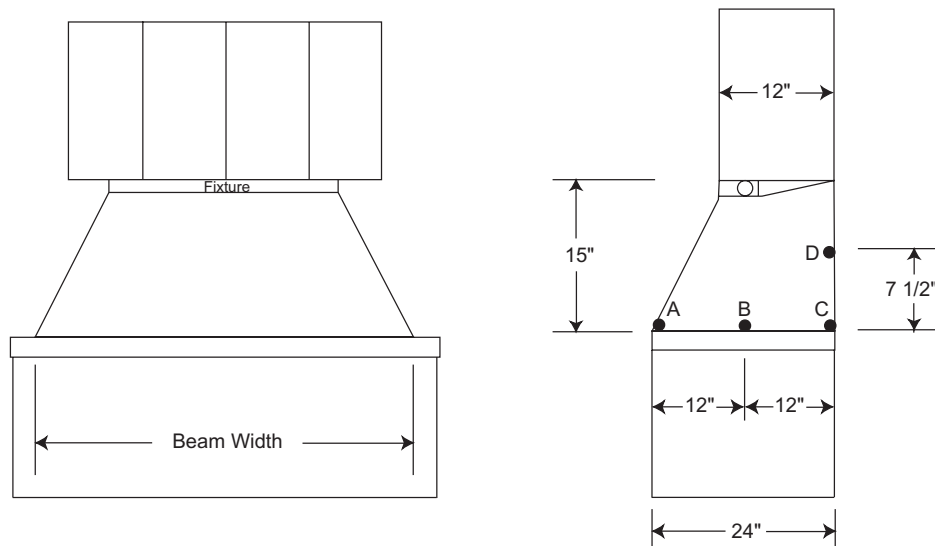
PRO-LED

3000K LEDs

UPL09, UPL14, UPL22 and UPL30

LIGHTING APPLICATION DATA

FOOTCANDLES ON HORIZONTAL WORK SURFACE



Footcandles						
Cat #	Number of LEDs	* Beam Width	A	B	C	D
UPL09	(2) 1-watt LEDs	20"	12	37	17	13
UPL14	(4) 1-watt LEDs	23"	22	64	31	24
UPL22	(6) 1-watt LEDs	27"	30	86	41	31
UPL30	(8) 1-watt LEDs	32.5"	35	97	50	38

*Beam width defined as 50% of maximum footcandles

Fixture mounted at front lip of cabinet

Rear wall reflectance 50%

Counter Surface Reflectance 20%